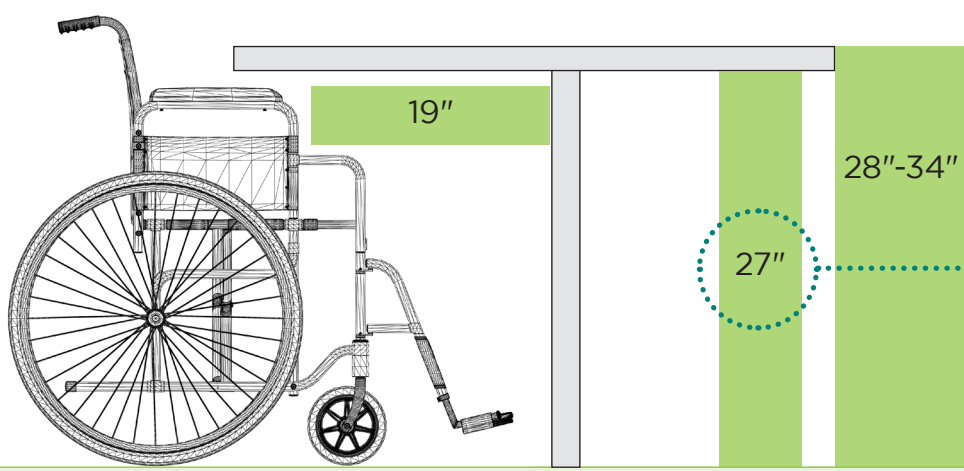


Designing for ADA Compliance

Freestanding and Fixed Tables and Seating Layout



✓ Counter space must meet the same standards.

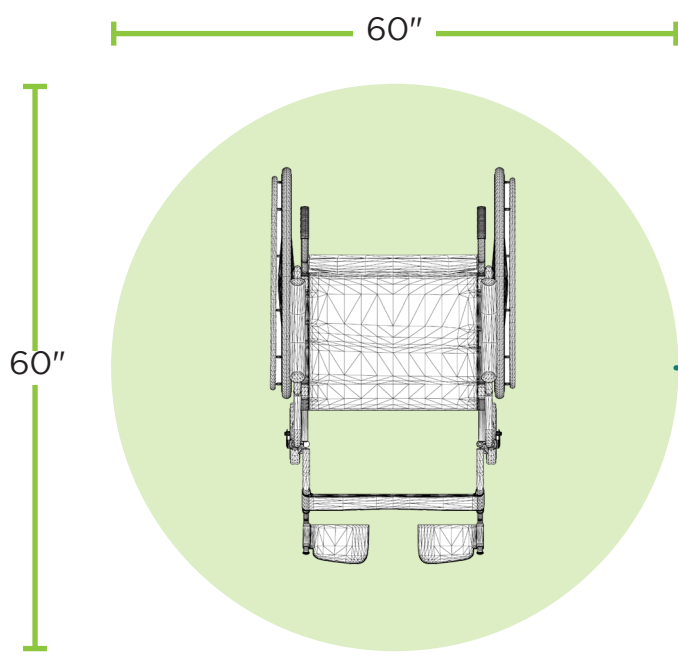
• The table height must create at least 27" of knee clearance between the floor and underside of the table.

HOW MANY ADA COMPLIANT TABLES ARE NEEDED?

20+ tables = 5% of total

<20 tables = at least 1 table must be wheelchair accessible

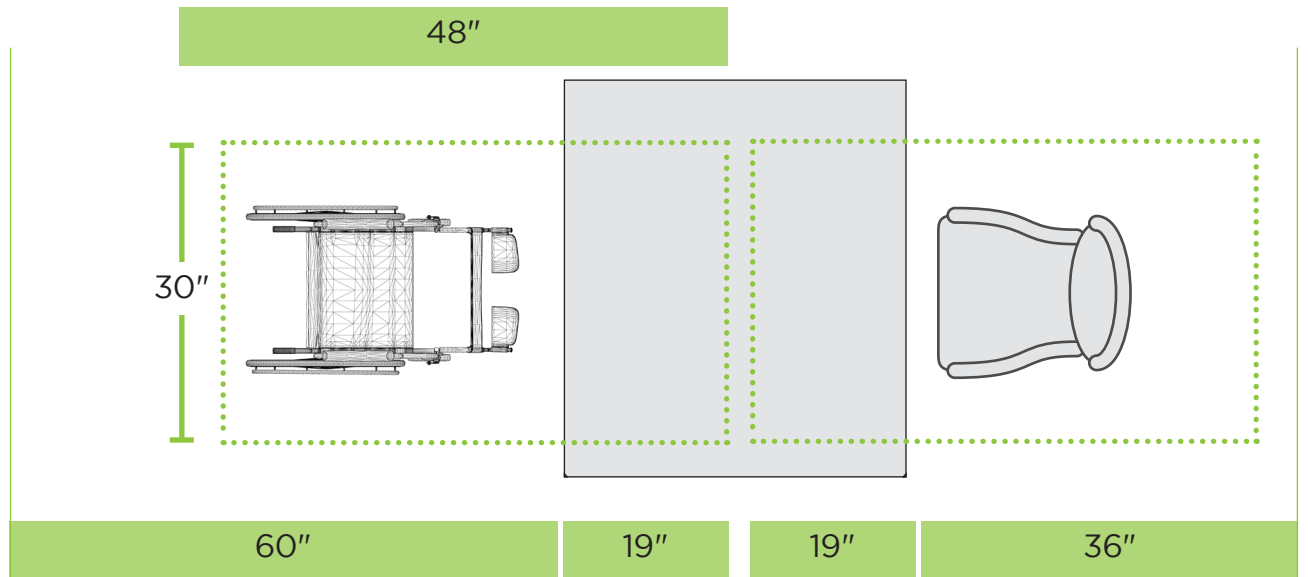
ADA Free Standing Tables for Two



• In order for a wheelchair to successfully maneuver around a room, you must allow for 60" from the wall to the front of knee clearance

TABLES MUST ALLOW FOR:

- A height of 28" to 34" with 27" of underside clearance
- Knee clearance of 19"
- Width of 30"

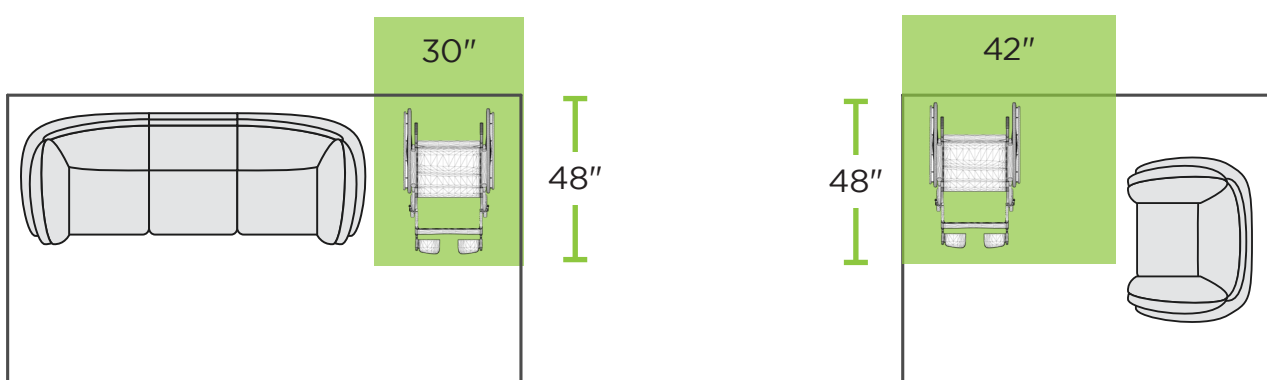


Laying Out Your Space

An accessible route to the table is required. A 30" x 48" space is the minimum required to allow a wheel chair to turn around.

Aisles must be a minimum of 36".

It can be a challenge to make this work in a dining room. Let our expert designers help!



Accessible Path of Travel

